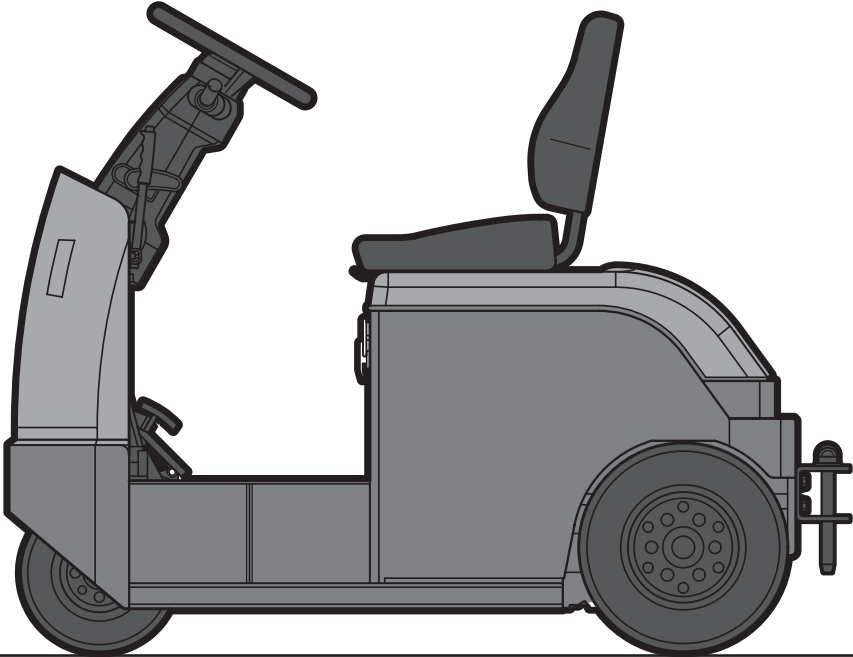


# 4CBT(Y) - CBT(Y)

2.0 to 6.0 ton  
Electric Towing Tractor



# 2,000 - 4,000 kg compact, stand-on

## MAIN VEHICLE SPECIFICATIONS

				TOYOTA		
				4CBTY2	4CBTYk4	
Characteristics	1.1	Manufacturer			TOYOTA	TOYOTA
	1.2	Model			4CBTY2	4CBTYk4
	1.3	Power unit			battery	battery
	1.4	Operator Type			stand-on	stand-on
	1.5	Load capacity/rated load	Q	kg	2000	4000
	1.7	Rated drawbar pull	F	N	500	1000
1.9	Wheelbase	y	mm	1140	1140	
Weight	2.1	Truck weight		kg	620	730
	2.2	Axle loadings laden front/rear		kg	-	-
	2.3	Axle loadings unladen front/rear		kg	220/400	270/460
Tyres, chassis	3.1	Tyres - pneumatic (P), pneumatic shaped cushion (SE), solid rubber (R)			P	P
	3.2	Tyre size - front			3.50-5-6PR	3.50-5-6PR
	3.3	Tyre size - rear			4.00-8-6PR	4.00-8-6PR
	3.5	Wheels - number front/rear (x = drive wheel)			1/2x	1/2x
	3.6	Track width - front	b <sub>10</sub>	mm	-	-
	3.7	Track width - rear	b <sub>11</sub>	mm	670	670
	Dimensions	4.8	Seat height/stand height	h <sub>7</sub>	mm	200
4.12		Coupling height	h <sub>10</sub>	mm	305	305
4.17		Overhang	l <sub>5</sub>	mm	215	215
4.19		Overall length (incl. hitch of 105 mm)	l <sub>1</sub>	mm	1645	1645
4.21		Chassis width	b <sub>1</sub>	mm	800	800
4.32		Ground clearance, centre of wheelbase	m <sub>2</sub>	mm	80	80
4.35	Turning radius	W <sub>a</sub>	mm	1600	1600	
Performance	5.1	Travel speed laden/unladen		km/h	9 <sup>1)</sup> /13	8 <sup>2)</sup> /13
	5.6	Max drawbar pull		N	2000	4000
	5.8	Max. gradeability laden/unladen <sup>3)</sup>		%	5/14	7/14
	5.10	Service brake			hydraulic	hydraulic
Motor	6.1	Drive motor		kW	2.3	2.3
	6.4	Battery voltage/nominal capacity		V/Ah	48/129	48/220
	6.5	Battery weight		kg	260	370
Others	8.1	Control type			Transistor inverter	Transistor inverter
	8.4	Sound level at driver's ear		dB(A)		

<sup>1)</sup> with 2 ton load

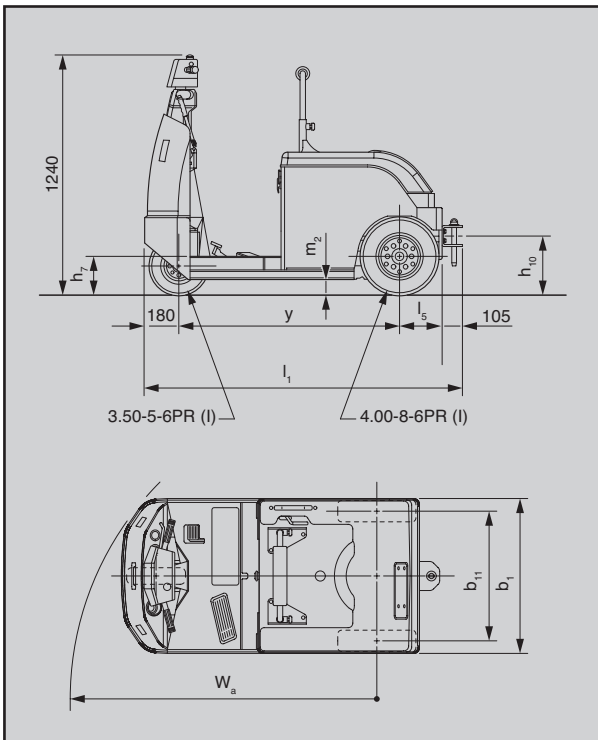
<sup>2)</sup> with 4 ton load

<sup>3)</sup> Computed values, 3-minute rating

## TOWED WEIGHT

Model	Start on grade			
	3-minute Rating		60-minute rating	
	4CBTY2	4CBTYk4	4CBTY2	4CBTYk4
Surface condition (Dry even concrete)	ton	ton	ton	ton
Level road	2.0	4.0	2.0	4.0
Grade (degrees)	1°	1.6	3.7	2.0
	2°	1.2	3.0	1.2
	3°	1.0	2.5	0.7
	4°	0.8	2.1	0.4

## DIMENSIONAL DRAWINGS



## BATTERY COMPARTMENT

### BATTERY CASE DIMENSIONS

Model	Battery voltage V	Standard	Battery capacity Ah/5hr	Manufacturer	Battery cell			Container height (w/case) mm	Weight (w/case) kg	
					Type	Length mm	Width mm			
4CBTY2, 4CBTYk4	48	BRITISH	120	CHLORIDE	IMF7H	61.5	158	542	240	
			162	CHLORIDE	TLF7N	61.5	158	542	295	
				OLDHAM	EXH3	61	159	542	305	
				CHLORIDE	TLF7H	61.5	158	542	335	
			189	OLDHAM	XH3	61	159	542	340	
		DIN		120	CHLORIDE	2PzS120H	47	198.5	542	240
				160	VARTA	2PzS160	47	198	542	325
			CHLORIDE		2PzS160	47	198.5	542	320	
180	CHLORIDE		2PzS180H	47	198.5	542	325			

Battery Connector Type: Connecteur 160A female 50° mm (Reels France)

### BATTERY COMPARTMENT DIMENSIONS

Model	Battery compartment		
	Width mm	Length mm	Height mm
4CBTY2, 4CBTYk4	763	353	548

# 2,000 - 4,000 kg compact, sit-on

## MAIN VEHICLE SPECIFICATIONS

				TOYOTA			
				4CBT2	4CBT3	4CBTk4	
Characteristics	1.1	Manufacturer			TOYOTA	TOYOTA	TOYOTA
	1.2	Model			4CBT2	4CBT3	4CBTk4
	1.3	Power unit			battery	battery	battery
	1.4	Operator Type			sit-on	sit-on	sit-on
	1.5	Load capacity/rated load	Q	kg	2000	3000	4000
	1.7	Rated drawbar pull	F	N	500	750	1000
1.9	Wheelbase	y	mm	1140	1140	1140	
Weight	2.1	Truck weight		kg	620	620	730
	2.2	Axle loadings laden front/rear		kg	-	-	-
	2.3	Axle loadings unladen front/rear		kg	220/400	220/400	270/460
Tyres, chassis	3.1	Tyres - pneumatic (P), pneumatic shaped cushion (SE), solid rubber (R)			P	P	P
	3.2	Tyre size - front			3.50-5-6PR	3.50-5-6PR	3.50-5-6PR
	3.3	Tyre size - rear			4.00-8-6PR	4.00-8-6PR	4.00-8-6PR
	3.5	Wheels - number front/rear (x = drive wheel)			1/2x	1/2x	1/2x
	3.6	Track width - front	b <sub>10</sub>	mm	-	-	-
	3.7	Track width - rear	b <sub>11</sub>	mm	670	670	670
Dimensions	4.8	Seat height/stand height	h <sub>7</sub>	mm	860	860	860
	4.12	Coupling height	h <sub>10</sub>	mm	305	305	305
	4.17	Overhang	l <sub>5</sub>	mm	215	215	215
	4.19	Overall length (incl. hitch of 105 mm)	l <sub>1</sub>	mm	1645	1645	1645
	4.21	Chassis width	b <sub>1</sub>	mm	800	800	800
	4.32	Ground clearance, centre of wheelbase	m <sub>2</sub>	mm	80	80	80
4.35	Turning radius	W <sub>a</sub>	mm	1600	1600	1600	
Performance	5.1	Travel speed laden/unladen		km/h	9 <sup>1)</sup> /13	9 <sup>2)</sup> /13	8 <sup>3)</sup> /13
	5.6	Max drawbar pull		N	2000	3000	4000
	5.8	Max. gradeability laden/unladen <sup>4)</sup>		%	5/14	7/14	8/14
	5.10	Service brake			hydraulic	hydraulic	hydraulic
Motor	6.1	Drive motor		kW	2.3	2.3	2.3
	6.4	Battery voltage/nominal capacity		V/Ah	48/129	48/129	48/220
	6.5	Battery weight		kg	260	260	370
Others	8.1	Control type			Transistor inverter	Transistor inverter	Transistor inverter
	8.4	Sound level at driver's ear		dB(A)			

<sup>1)</sup> with 2 ton load

<sup>2)</sup> with 3 ton load

<sup>3)</sup> with 4 ton load

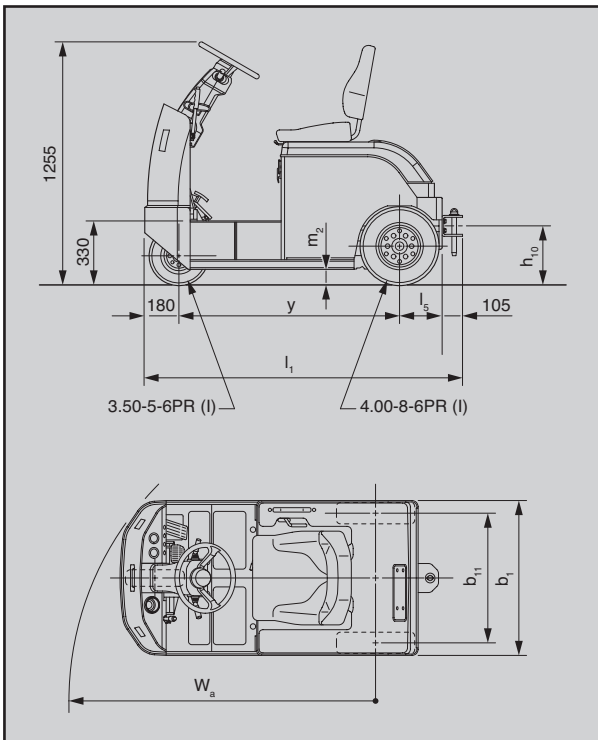
<sup>4)</sup> Computed values, 3-minute rating

## TOWED WEIGHT

Model		Start on grade					
		3-minute Rating			60-minute rating		
		4CBT2	4CBT3	4CBTk4	4CBT2	4CBT3	4CBTk4
Surface condition (Dry even concrete)		ton	ton	ton	ton	ton	ton
Level road		2.0	3.0	4.0	2.0	3.0	4.0
Grade (degrees)	1°	1.6	2.7	3.7	0.9	1.4	2.0
	2°	1.2	2.1	3.0	0.4	0.8	1.2
	3°	1.0	1.7	2.5	0.1	0.4	0.7
	4°	0.8	1.4	2.1	—	0.2	0.4

# 4CBT2, 4CBT3, 4CBTk4

## DIMENSIONAL DRAWINGS



## BATTERY COMPARTMENT

### BATTERY CASE DIMENSIONS

Model	Battery voltage V	Standard	Battery capacity Ah/5hr	Manufacturer	Battery cell			Container height (w/case) mm	Weight (w/case) kg
					Type	Length mm	Width mm		
4CBT2, 4CBT3 4CBTk4	48	BRITISH	120	CHLORIDE	IMF7H	61.5	158	542	240
			162	CHLORIDE	TLF7N	61.5	158	542	295
				OLDHAM	EXH3	61	159	542	305
			189	CHLORIDE	TLF7H	61.5	158	542	335
				OLDHAM	XH3	61	159	542	340
		DIN	120	CHLORIDE	2PzS120H	47	198.5	542	240
			160	VARTA	2PzS160	47	198	542	325
				CHLORIDE	2PzS160	47	198.5	542	320
			180	CHLORIDE	2PzS180H	47	198.5	542	325

Battery Connector Type: Connecteur 160A female 50° mm (Reels France)

### BATTERY COMPARTMENT DIMENSIONS

Model	Battery compartment		
	Width mm	Length mm	Height mm
4CBT2, 4CBT3, 4CBTk4	763	353	548

# 4,000 - 6,000 kg

## MAIN VEHICLE SPECIFICATIONS

				TOYOTA			
				CBTY4	CBT4	CBT6	
Characteristics	1.1	Manufacturer			TOYOTA	TOYOTA	TOYOTA
	1.2	Model			CBTY4	CBT4	CBT6
	1.3	Power unit			battery	battery	battery
	1.4	Operator Type			stand-on	sit-on	sit-on
	1.5	Load capacity/rated load	Q	kg	4000	4000	6000
	1.7	Rated drawbar pull	F	N	980	980	1470
1.9	Wheelbase	y	mm	1140	1360	1360	
Weight	2.1	Truck weight		kg	915	970	1035
	2.2	Axle loadings laden front/rear		kg	-	-	-
	2.3	Axle loadings unladen front/rear		kg	290/685	330/650	360/695
Tyres, chassis	3.1	Tyres - pneumatic (P), pneumatic shaped cushion (SE), solid rubber (R)			P	P	P
	3.2	Tyre size - front			3.50-5-6PR	3.50-5-6PR	3.50-5-6PR
	3.3	Tyre size - rear			4.00-8-6PR	4.00-8-6PR	4.00-8-6PR
	3.5	Wheels - number front/rear (x = drive wheel)			2/2x	2/2x	2/2x
	3.6	Track width - front	b <sub>10</sub>	mm	260	260	260
	3.7	Track width - rear	b <sub>11</sub>	mm	790	790	790
Dimensions	4.8	Seat height/stand height	h <sub>7</sub>	mm	200	860	860
	4.12	Coupling height	h <sub>10</sub>	mm	305	305	305
	4.17	Overhang	l <sub>5</sub>	mm	240	360	360
	4.19	Overall length (incl. hitch of 105 mm)	l <sub>1</sub>	mm	1755	2020	2020
	4.21	Chassis width	b <sub>1</sub>	mm	965	965	965
	4.32	Ground clearance, centre of wheelbase	m <sub>2</sub>	mm	75	80	80
4.35	Turning radius	W <sub>a</sub>	mm	1600	1775	1775	
Performance	5.1	Travel speed laden/unladen		km/h	9 <sup>1)</sup> /13.5	9 <sup>1)</sup> /13.5	13 <sup>2)</sup> /18
	5.6	Max drawbar pull		N	3920	3920	4410
	5.8	Max. gradeability laden/unladen <sup>3)</sup>		%	6 <sup>1)</sup> /36	6 <sup>1)</sup> /36	3 <sup>2)</sup> /32
	5.10	Service brake			hydraulic	hydraulic	hydraulic
Motor	6.1	Drive motor		kW	2.6	2.6	4.9
	6.4	Battery voltage/nominal capacity		V/Ah	48/160	48/240	48/240
	6.5	Battery weight		kg	290	450	450
Others	8.1	Control type			Transistor chopper	Transistor chopper	Transistor chopper
	8.4	Sound level at driver's ear		dB(A)	71	71	69

<sup>1)</sup> with 2 ton load

<sup>2)</sup> with 3 ton load

<sup>3)</sup> Computed values, 3-minute rating

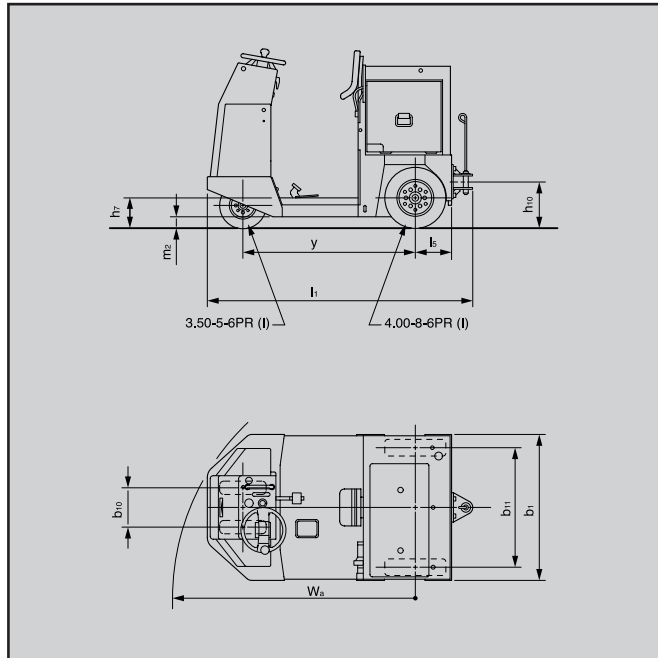
## TOWED WEIGHT

Model	Start on grade					
	3-minute Rating			60-minute rating		
	CBTY4	CBT4	CBT6	CBTY4	CBT4	CBT6
Surface condition (Dry even concrete)	ton	ton	ton	ton	ton	ton
Level road	4.0 (7)	4.0 (7)	6.0 (7)	4.0 (7)	4.0 (7)	6.0 (7)
Grade (degrees)	1°	3.4 (4)	3.4 (4)	3.8 (4)	1.9 (7)	3.0 (7)
	2°	2.7 (4)	2.7 (4)	3.0 (4)	1.0 (7)	1.8 (7)
	3°	2.2 (4)	2.2 (4)	2.4 (4)	0.5 (7)	1.1 (7)
	4°	1.7 (4)	1.7 (4)	2.0 (4)	0.2 (7)	0.6 (7)

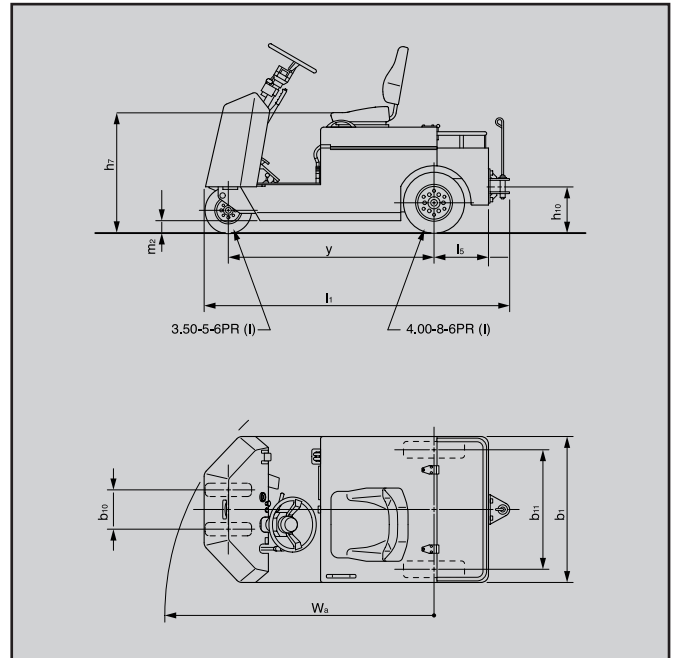
( ) indicates travel speed in km/h

## DIMENSIONAL DRAWINGS

CBTY4



CBT4.6



## BATTERY COMPARTMENT

### STD BATTERY CASE DIMENSIONS

Model	Standard	Battery voltage/ capacity	Manufacturer	Battery cell			Container height	Weight with case
				Type	Length	Width		
		V/Ah/5hr				mm	kg	
CBTY4 (roll out)	British	48/216	OLDHAM	AE4	77	159	468	380
	DIN	48/160	OLDHAM	DW2	47	198	468	290
CBT4.6 (lift out)	British	48/270	OLDHAM	AE5	93	157.5	575	470
			CHLORIDE	TLF-11N	93.5	158	575	490
			VARTA	5PEC270	95	159	575	510
	DIN	48/240	OLDHAM	DW3	64.5	198	575	450
			CHLORIDE	3PzS240	65	198.5	575	453
			VARTA	3Pz240	66	198	575	455

### OPTIONAL BATTERY CASE DIMENSIONS

Model	Standard	Battery voltage/ capacity	Manufacturer	Battery cell			Container height	Weight with case
				Type	Length	Width		
		V/ Ah/5hr				mm	kg	
CBT4.6 (roll out)	British	48/210	OLDHAM	A05	93	157.5	500	383
			CHLORIDE	ILF11N	93.5	158	500	429
		48/235	VARTA	5PEB235	95	159	500	446
		48/270	OLDHAM	AE5	95	157.5	500	465
	DIN	48/210	CHLORIDE	3PzS210	65	198.5	500	381
			VARTA	3PzS210	65	198	500	369
		48/219	OLDHAM	DVH3	64.5	198	500	395

### BATTERY COMPARTMENT DIMENSIONS

Model	Battery compartment		
	Width	Length	Height
CBTY4	742	499	475
CBT4.6	818	497	594 (523)

( ) for optional roll out battery

## 4CBTY2, 4CBTYk4, 4CBT2, 4CBT3, 4CBTk4,

- Toyota OPS (Operator Presence Sensing)
- AC power system
- Pneumatic tyres
- Rear drawbar
- Headlight
- Battery discharge indicator
- Hour meter

## CBTY4, CBT4, CBT6

- Toyota OPS (Operator Presence Sensing)
- Pneumatic tyres
- Rear drawbar
- Headlight
- Battery discharge indicator
- Hour meter
- Battery rollerbed (only standard on CBTY4)
- Document box

uw dealer :

vd KREEFT bv  
Veldwade 18  
3439 LE NIEUWEGEIN  
tel. 030 2805550  
<http://www.heftruck.com>

Specifications are based on Toyota testing standards.

Operating performance may vary depending on the actual specification and condition of the truck as well as the condition of the operating area. Continuous improvements make it necessary for us to reserve the right to make specification and equipment changes.

Specifications are subject to manufacturing tolerances. Availability and specifications are determined regionally. Please consult

operating area.

It your Toyota representative for more details.