

**ADVANCED TECHNOLOGY FOR SUPERIOR ALL-ROUND PERFORMANCE**

F05 series forklifts are now equipped with a new 2-stage stator torque converter that helps to improve allround work efficiency by providing smoother, fatigue-free

operation. Making it unnecessary for the operator to shift from low to high gear (1st → 2nd), the 2-stage stator torque converter is designed to eliminate shift shock. This greatly improves operator comfort—especially during long work shifts—and reduces the possibility of rocking the pallet when accelerating the forklift.

**Options**

- 2.5-6.0m duplex mast
- Special carriage and backrest
- Solid tyre
- Cabin
- Heater and air condition
- Other dimension forks
- Sideshifter
- Other attachment
- Fire extinguisher
- Suspension seat
- Dual air cleaner or special air cleaner
- Rear working light
- Customer painting



**6BG1QP Diesel Engine**

Displacement: **6494 cc**  
 Rated output: **84.8 kw/2200rpm**  
 Rated torque: **410.9 N.m/1600rpm**

**LR4108G10Y Diesel Engine**

Displacement: **4580 cc**  
 Rated output: **65 Kw/2400rpm**  
 Rated torque: **300 N.m/1400-1600rpm**

**CY6102BG-2 Diesel Engine**

Displacement: **5785 cc**  
 Rated output: **72.8 kw/2200rpm**  
 Rated torque: **353 N.m/1600rpm**



**R Series**  
 5.0 / 6.0 / 7.0 T  
 Diesel



ZHEJIANG HANGCHA ENGINEERING MACHINERY CO.,LTD.  
 (ZHEJIANG HANGCHA IMP. & EXP. CO.,LTD.)

[www.hcforklift.com](http://www.hcforklift.com)

Add: 398 Shi Qiao Road, Hangzhou 310022, P.R.China  
 Tel: +86-571-88135110 88126376 88135220 88125527 88130499(Ext. 8116, 8206, 8200)  
 Fax: +86-571-88132890 88126379  
 E-mail: [sales@hcforklift.com](mailto:sales@hcforklift.com)

**Van der Kreeft**  
**Heftrucks**

Van der Kreeft bv  
 Veldwade 18  
 3439 LE Nieuwegein

T +31 (0)30 280 55 50  
 F +31 (0)30 289 93 71  
[www.heftruck.com](http://www.heftruck.com)

Verhuur → Lease → Verkoop → Onderhoud  
 Heftrucks → Magazijntrucks → Hoogwerkers → Veegmachines



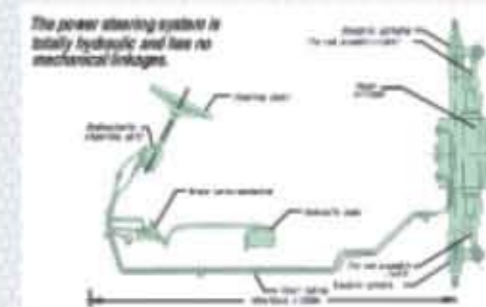
**浙江杭叉工程机械股份有限公司**  
 ZHEJIANG HANGCHA ENGINEERING MACHINERY CO.,LTD.

Zhejiang Hangcha Engineering Machinery Co., Ltd. reserves the right to make any changes without notice concerning colors, equipment, or specifications detailed in this brochure, or to discontinue individual models. The colors of trucks, delivered may differ slightly from those in brochures.

R series 5.0 - 7.0t forklift specification:

| General |  |                         | CPCD60           |                |               |               |               |              | CPCD60     |            |               |               |               |              | CPCD70     |            |               |               |               |            |
|---------|--|-------------------------|------------------|----------------|---------------|---------------|---------------|--------------|------------|------------|---------------|---------------|---------------|--------------|------------|------------|---------------|---------------|---------------|------------|
|         |  |                         | RG16             | RG24           | RW14          | RW14B         | RW19A         | RW28         | RG16       | RG24       | RW14          | RW14B         | RW19A         | RW28         | RG16       | RG24       | RW14          | RW14B         | RW28          |            |
| 1       | Manufacture  |                         | CPCD60           |                |               |               |               |              |            |            |               |               |               |              |            |            |               |               |               |            |
| 2       | Basic model  |                         | CPCD60           |                |               |               |               |              |            |            |               |               |               |              |            |            |               |               |               |            |
| 3       | Type   |                         | Diesel           |                |               |               |               |              |            |            |               |               |               |              |            |            |               |               |               |            |
| 4       | Power type   |                         | Diesel           |                |               |               |               |              |            |            |               |               |               |              |            |            |               |               |               |            |
| 5       | Rated capacity   | kg                      | 5000             |                |               |               |               |              |            |            |               |               |               |              |            |            |               |               |               |            |
| 6       | Load center  | mm                      | 600              |                |               |               |               |              |            |            |               |               |               |              |            |            |               |               |               |            |
| 7       | Lift height  | mm                      | 3000             |                |               |               |               |              |            |            |               |               |               |              |            |            |               |               |               |            |
| 8       | Free lift height   | mm                      | 160              |                |               |               |               |              |            |            |               |               |               |              |            |            |               |               |               |            |
| 9       | Fork size  | L×W×T                   | 1200×150×60      |                |               |               |               |              |            |            |               |               |               |              |            |            |               |               |               |            |
| 10      | Fork spread(outside)   | Min. / Max.             | 300 / 1530       |                |               |               |               |              |            |            |               |               |               |              |            |            |               |               |               |            |
| 11      | Mast tilt range  | F / R                   | 6 / 12           |                |               |               |               |              |            |            |               |               |               |              |            |            |               |               |               |            |
| 12      | Fork overhang(Wheel center to fork face)                             | mm                      | 610              |                |               |               |               |              |            |            |               |               |               |              |            |            |               |               |               |            |
| 13      | Overall dimensions   | Length to face of fork  | 3475             |                |               |               |               |              |            |            |               |               |               |              |            |            | 3525          |               |               |            |
| 14      |  | Overall width           | 1990             |                |               |               |               |              |            |            |               |               |               |              |            |            |               |               |               |            |
| 15      |  | Mast lowered height     | 2500             |                |               |               |               |              |            |            |               |               |               |              |            |            |               |               |               |            |
| 16      |  | Mast extended height    | 4420             |                |               |               |               |              |            |            |               |               |               |              |            |            |               |               |               |            |
| 17      | Overhead guard height  | mm                      | 2370             |                |               |               |               |              |            |            |               |               |               |              |            |            |               |               |               |            |
| 18      | Turning radius(outside)  | mm                      | 3160             |                |               |               |               |              |            |            |               |               |               |              |            |            | 3210          |               |               |            |
| 19      | Min.right angle aisle width  | mm                      | 2760             |                |               |               |               |              |            |            |               |               |               |              |            |            |               |               |               |            |
| 20      | Min.right angle stacking aisle width (Add load length and clearance) | mm                      | 3770             |                |               |               |               |              |            |            |               |               |               |              |            |            | 3820          |               |               |            |
| 21      | Speed  | Travel                  | 0-26             |                |               |               |               |              |            |            |               |               |               |              |            |            |               |               |               |            |
| 22      |  | Lifting(Full load)      | 420              |                |               |               |               |              |            |            |               |               |               |              |            |            |               |               |               |            |
| 23      | Max gradeability(Full load)  | %                       | 20               |                |               |               |               |              |            |            |               |               |               |              |            |            |               |               |               |            |
| 24      | Self weight  | kg                      | 8000             |                |               |               |               |              |            |            |               |               |               |              |            |            |               |               |               |            |
| 25      | Tyres  | Front                   | 8.25 - 15 - 14PR |                |               |               |               |              |            |            |               |               |               |              |            |            |               |               |               |            |
| 26      |  | Rear                    | 8.25 - 15 - 14PR |                |               |               |               |              |            |            |               |               |               |              |            |            |               |               |               |            |
| 27      | Tread  | Front / Rear            | 1489 / 1480      |                |               |               |               |              |            |            |               |               |               |              |            |            |               |               |               |            |
| 28      | Wheelbase  | mm                      | 2250             |                |               |               |               |              |            |            |               |               |               |              |            |            | 2300          |               |               |            |
| 29      | Ground clearance   | mm                      | 170              |                |               |               |               |              |            |            |               |               |               |              |            |            |               |               |               |            |
| 30      | Battery  | Voltage / Capacity(5HR) | 24 / 105         |                |               |               |               |              |            |            |               |               |               |              |            |            |               |               |               |            |
| 31      | Engine   | Model                   | CY6102BQ-2       | LR4108G10Y     | 6BG1QP        | 6BG1QP        | TD42          | QSB4.5-C110  | CY6102BQ-2 | LR4108G10Y | 6BG1QP        | 6BG1QP        | TD42          | QSB4.5-C110  | CY6102BQ-2 | LR4108G10Y | 6BG1QP        | 6BG1QP        | QSB4.5-C110   |            |
| 32      |  | Manufacture             | CHINA            | CHINA          | ISUZU         | ISUZU         | NISSAN        | CUMMINS      | CHINA      | CHINA      | ISUZU         | ISUZU         | NISSAN        | CUMMINS      | CHINA      | CHINA      | ISUZU         | ISUZU         | CUMMINS       |            |
| 33      |  | Rated output / r.p.m.   | kw               | 81 / 2500      | 65 / 2400     | 84.6 / 2200   | 84.6 / 2200   | 62.5 / 2300  | 82 / 2200  | 81 / 2500  | 65 / 2400     | 84.6 / 2200   | 84.6 / 2200   | 62.5 / 2300  | 82 / 2200  | 81 / 2500  | 65 / 2400     | 84.6 / 2200   | 84.6 / 2200   | 82 / 2200  |
| 34      |  | Rated torque / r.p.m.   | N·m              | 353 / 1700     | 300/1400-1800 | 411/1400-1800 | 411/1400-1800 | 274.4 / 1600 | 488 / 1500 | 353 / 1700 | 300/1400-1800 | 411/1400-1800 | 411/1400-1800 | 274.4 / 1600 | 488 / 1500 | 353 / 1700 | 300/1400-1800 | 411/1400-1800 | 411/1400-1800 | 488 / 1500 |
| 35      |  | No. of cylinder         |                  | 6              | 4             | 6             | 6             | 6            | 4          | 6          | 4             | 6             | 6             | 6            | 4          | 6          | 4             | 6             | 6             | 4          |
| 36      |  | Bore×Stroke             | mm               | 102×118        | 108×125       | 105×125       | 105×125       | 96×96        | 107×124    | 102×118    | 108×125       | 105×125       | 105×125       | 96×96        | 107×124    | 102×118    | 108×125       | 105×125       | 105×125       | 107×124    |
| 37      |  | Emission STD.           |                  | Stage 3/Tier 3 |               |               |               |              |            |            |               |               |               |              |            |            |               |               |               |            |
| 38      |  | Displacement            | cc               | 5785           | 4580          | 6494          | 6494          | 4169         | 4460       | 5785       | 4580          | 6494          | 6494          | 4169         | 4460       | 5785       | 4580          | 6494          | 6494          | 4460       |
| 39      |  | Fuel tank capacity      | L                | 120            | 120           | 120           | 120           | 120          | 120        | 120        | 120           | 120           | 120           | 120          | 120        | 120        | 120           | 120           | 120           | 120        |
| 40      |  | Transmissions           | Manufacture      | CHINA          | CHINA         | CHINA         | OKAMURA       | NISSAN       | CHINA      | CHINA      | CHINA         | CHINA         | OKAMURA       | NISSAN       | CHINA      | CHINA      | CHINA         | CHINA         | OKAMURA       | CHINA      |
| 41      | Type   |                         | Powershift       | Powershift     | Powershift    | Powershift    | Powershift    | Powershift   | Powershift | Powershift | Powershift    | Powershift    | Powershift    | Powershift   | Powershift | Powershift | Powershift    | Powershift    | Powershift    |            |
| 42      | Stage  |                         | FWD/RVS          | 2/2            | 2/2           | 2/2           | 2/2           | 1/1          | 2/2        | 2/2        | 2/2           | 2/2           | 2/2           | 1/1          | 2/2        | 2/2        | 2/2           | 2/2           | 2/2           |            |
| 43      | Operating pressure   | For attachments         | MPa 17           |                |               |               |               |              |            |            |               |               |               |              |            |            |               |               |               |            |

- Special lifting height available ( 2.5m,2.7m,3.6m,4m,4.3m,4.6m,5m,5.5m,6m,7m ).
- Attachment available.
- The specification in the table are for standard models only. For further information please contact us.
- Specification are subject to change without notice.



### HYDROSTATIC POWER STEERING SYSTEM

H & F05 forklifts are equipped with a hydrostatic power steering system that works to reduce steering effort and lessen fatigue over long hours of operation. Completely hydraulic in design with no mechanical linkages, the smooth operation of this system helps to eliminate kickback and oversteer characteristics.

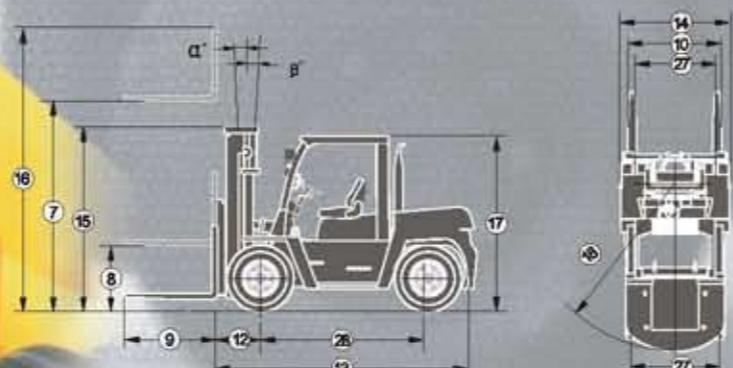


### NON-SLIP FLOOR AND STEP

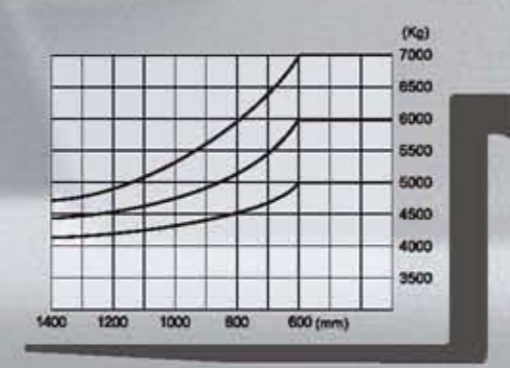
The wide-open step is not only convenient to use but safer thanks to anti-slip mats. To further improve safety in demanding work conditions, the floor board is constructed of embossed steel to reduce of possibility of slipping.



### DIMENSIONS



### LOAD CHART



### R series 5.0 - 7.0t forklift mast specification:

| Type                                       | Model    | Mast fork height | Overall height |          | Free lift | Tilt range    |     | Capacity |                         |      |
|--|----------|------------------|----------------|----------|-----------|---------------|-----|----------|-------------------------|------|
|  |          |                  | Lowered        | Extended |           | With backrest | FWD | RWD      | Load capacity at 600 mm |      |
|  |          |                  | mm             | mm       | mm        |               |     |          | kg                      | kg   |
| Wide view mast                             | 50M, 7M  | 2500             | 2250           | 3920     | 160       | 6             | 12  | 5000     | 6000                    | 7000 |
|  |          | 2700             | 2350           | 4120     | 160       | 6             | 12  | 5000     | 6000                    | 7000 |
|  |          | 3000             | 2500           | 4420     | 160       | 6             | 12  | 5000     | 6000                    | 7000 |
|  |          | 3300             | 2650           | 4720     | 160       | 6             | 12  | 5000     | 6000                    | 7000 |
|  |          | 3600             | 2800           | 5020     | 160       | 6             | 12  | 5000     | 6000                    | 7000 |
|  |          | 4000             | 3000           | 5420     | 160       | 6             | 12  | 5000     | 6000                    | 7000 |
|  |          | 4300             | 3200           | 5720     | 160       | 6             | 6   | 5000     | 6000                    | 7000 |
|  |          | 4500             | 3300           | 5920     | 160       | 6             | 6   | 5000     | 6000                    | 7000 |
|  |          | 4800             | 3450           | 6220     | 160       | 6             | 6   | 5000     | 6000                    | 7000 |
|  |          | 5000             | 3550           | 6420     | 160       | 6             | 6   | 5000     | 6000                    | 7000 |
| Wide view full free lift free 2-stage mast | 50U, 7U  | 2500             | 2185           | 3840     | 1048      | 6             | 12  | 5000     | 6000                    | 7000 |
|  |          | 4000             | 2720           | 5920     | 1323      | 6             | 6   | 4500     | 5500                    | 6200 |
| Wide view full free lift free 3-stage mast | 50NX, 7N | 4800             | 2820           | 6220     | 1423      | 6             | 6   | 4500     | 5500                    | 6200 |
|  |          | 5000             | 2870           | 6420     | 1473      | 6             | 6   | 4500     | 5500                    | 6200 |
|  |          | 5500             | 3070           | 6920     | 1673      | 3             | 6   | 4200     | 5200                    | 5800 |
|  |          | 6000             | 3220           | 7420     | 1823      | 3             | 6   | 4000     | 5000                    | 5500 |
|  |          | 7000             | 3670           | 8420     | 2273      | 3             | 6   | 2900     | 3300                    | 3600 |